



Industrial connection system

# 工业连接系统



上海兰宝传感科技股份有限公司

Shanghai Lanbao Sensing Technology Co., Ltd.



## 上海兰宝传感科技股份有限公司

上海兰宝传感科技股份有限公司创立于1998年，是中国仪器仪表行业协会理事单位，上海市高新技术企业，国内领先的工业自动化产品供应商。公司主营业务为工业测控传感器的研发、生产、销售及应用，为客户提供标准化和定制化的工业测控传感器及工业测控传感系统。工业测控传感器是实现工业自动检测和自动控制的首要环节和核心部件。兰宝工业测控传感器主要包括电感式传感器、光电式传感器、电容式传感器和陶瓷厚膜压力传感器，共有三十多个系列、3000余种规格型号。随着兰宝传感器在新技术、新材料的应用方面不断取得突破，各项产品技术性能居行业领先地位，其中多个系列产品达到国际先进水平。依托在工业测控传感器领域的优势，兰宝还根据工业制造企业的需求，为客户定制工业测控传感系统。

兰宝已通过ISO9001:2008质量管理体系认证，并已实施欧盟RoHS环保指令。兰宝的产品系列已通过CCC认证、CE认证和UL认证，每一种规格的产品均在设计阶段即严格测试其性能、品质、可靠性及制造可能性，而在生产过程中更严格实施统计品质管理，以确保成品的最高品质。

兰宝始终坚持质量第一、价格合理、交货及时、服务周到的原则，不但为客户提供常规型号产品，也可以根据客户的具体需求设计开发新产品，及时为客户提供全面的产品服务，最大限度地满足用户需要，为客户创造长期的价值和潜在的增长。

## Shanghai Lanbao Sensing Technology Co., Ltd.

Established in 1998, Shanghai Lanbao Sensing Technology Co.,Ltd. is a leading industrial automation products supplier in China. Our main businesses are industrial sensors and high-precision connectors R&D, production, sales and application, providing customers with standard and individual products and systems in this filed.

Sensor is primary and core part which realizes industrial automation detection and automatic control . Lanbao industrial measurement and control sensors covers over 40 series, 3000 specifications, main products are inductive sensors, photoelectric sensors capacitive sensors and connection system products .Lanbao has been making continuous breakthrough in new technology and new material application, which laid the foundation of its leading position in this field, our series products reach international level. Meanwhile, Lanbao also makes customer design product and offer comprehensive pre-sale and after-sale service in time .

Lanbao is an ISO9001, ISO14001, OHSAS18001 system and RoHS environmental directives implemented enterprise. Our series products are with CE, UL and CCC certification.

Focus on innovation, quality, service and global market, Lanbao insists on creating maximal value for customers.

兰宝汇集国际业内顶尖精英，掌握核心技术，专注于工业自动化产品领域。在导入全球领先的管理理念和制度的同时，集合设计、开发、研制、生产等配套流程，打造一体化经营格局，最终成为国际工业自动化产品制造领域的翘楚。兰宝拥有一批国际领先的自动化制造设备，保证产品具有国际技术水平和可靠质量。兰宝以严谨的品质管理与控制流程，确保每一件产品“零缺陷”。

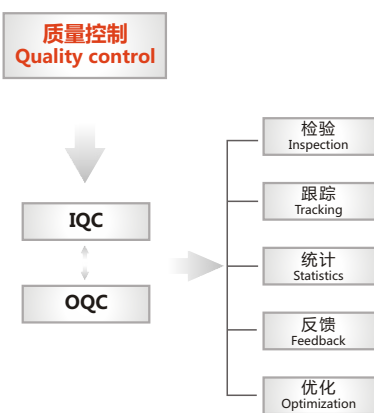
With excellent talents, core technology, Lanbao always concentrates in industrial automation field. By introducing global leading management philosophy and systems, congregating design, development, research and production, it is aim of Lanbao that finally to be a leading manufacturer in global industrial automation field. Our series international leading automation manufacturing equipments ensure international technical level and reliable quality, our strict quality management and control process guarantees "zero defect" products



**全面质量管理**  
Total Quality Management




**完整IQC和OQC检验流程**  
Complete IQC, OQC testing process



## 连接线缆型号一览 Model Catalogue

	内螺纹直头 180° female screw	内螺纹弯头 90° female screw	外螺纹直头 180° male screw	外螺纹弯头 90° male screw
<b>QE8系列</b> QE8 Series 	QE8-N3F2	QE8-N3G2	QE8-W3F2	QE8-W3G2
	QE8-N3F5	QE8-N3G5	QE8-W3F5	QE8-W3G5
	QE8-N3F2-U	QE8-N3G2-U	QE8-W3F2-U	QE8-W3G2-U
	QE8-N3F5-U	QE8-N3G5-U	QE8-W3F5-U	QE8-W3G5-U
	QE8-N4F2	QE8-N4G2	QE8-W4F2	QE8-W4G2
	QE8-N4F5	QE8-N4G5	QE8-W4F5	QE8-W4G5
	QE8-N4F2-U	QE8-N4G2-U	QE8-W4F2-U	QE8-W4G2-U
	QE8-N4F5-U	QE8-N4G5-U	QE8-W4F5-U	QE8-W4G5-U
<b>QE12系列</b> QE12 Series 	QE12-N3F2	QE12-N3G2	QE12-W3F2	QE12-W3G2
	QE12-N3F5	QE12-N3G5	QE12-W3F5	QE12-W3G5
	QE12-N3F2-U	QE12-N3G2-U	QE12-W3F2-U	QE12-W3G2-U
	QE12-N3F5-U	QE12-N3G5-U	QE12-W3F5-U	QE12-W3G5-U
	QE12-N4F2	QE12-N4G2	QE12-W4F2	QE12-W4G2
	QE12-N4F5	QE12-N4G5	QE12-W4F5	QE12-W4G5
	QE12-N4F2-U	QE12-N4G2-U	QE12-W4F2-U	QE12-W4G2-U
	QE12-N4F5-U	QE12-N4G5-U	QE12-W4F5-U	QE12-W4G5-U
	QE12-N5F2	QE12-N5G2	QE12-W5F2	QE12-W5G2
	QE12-N5F5	QE12-N5G5	QE12-W5F5	QE12-W5G5
	QE12-N5F2-U	QE12-N5G2-U	QE12-W5F2-U	QE12-W5G2-U
	QE12-N5F5-U	QE12-N5G5-U	QE12-W5F5-U	QE12-W5G5-U
<b>QE12系列 (带LED)</b> QE12 Series (With LED) 	QE12-N3F2-P/N	QE12-N3G2-P/N		
	QE12-N3F5-P/N	QE12-N3G5-P/N		
	QE12-N3F2-P/N-U	QE12-N3G2-P/N-U		
	QE12-N3F5-P/N-U	QE12-N3G5-P/N-U		
	QE12-N4F2-P/N	QE12-N4G2-P/N		
	QE12-N4F5-P/N	QE12-N4G5-P/N		
	QE12-N4F2-P/N-U	QE12-N4G2-P/N-U		
	QE12-N4F5-P/N-U	QE12-N4G5-P/N-U		
<b>QE08/12系列 (连接器)</b> QE08/12 Series (Connector) 	QE08-N3F		QE08-W3F	
	QE08-N4F		QE08-W4F	
	QE12-N4F	QE12-N4G	QE12-W4F	QE12-W4G
	QE12-N5F	QE12-N5G	QE12-W5F	QE12-W5G

## 分线盒型号一览 Model Catalogue

	M8 接口 M8 socket	M12 接口 M12 socket
<b>DB系列</b> DB Series 	DB080403-x-xxP	DB120804-x-xxP
	DB080403-x-xxN	DB120804-x-xxN
	DB080803-x-xxP	DB120804-x-MxxP
	DB080803-x-xxN	DB120804-x-MxxN
	DB080803-x-DxxP	DB120805-x-xxP
	DB080803-x-DxxN	DB120805-x-xxN
		DB120805-x-MxxP
		DB120805-x-MxxN

## 连接线缆型号代码 Model & Code

$\frac{QE12}{1} - \frac{N3}{2} \frac{G}{3} \frac{5}{4} - \frac{P}{5} - \frac{U}{6} - \frac{\square\square\square\square}{7}$

### 1. 连接器规格 Connector type

QE8 : M8连接器 M8 Connector  
QE12 : M12连接器 M12 Connector

### 2. 芯线连接 Core wire

N3 : 3芯内螺纹连接 3 pins female screw  
N4 : 4芯内螺纹连接 4 pins female screw  
W3 : 3芯外螺纹连接 3 pins male screw  
W4 : 4芯外螺纹连接 4 pins male screw

### 3. 出线方向 Cable lead-out

F : 180°直头 Stright shape  
G : 90°弯头 "L" shape

### 4. 线缆长度 Cable length

2 : 2米电缆线 2m Cable  
5 : 5米电缆线 5m Cable  
10 : 10米电缆线 10m Cable

### 5. 输出方式 Output

无表示 : 无LED None: No LED  
NPN/PNP共用 available for both NPN/PNP  
P : 带LED PNP接口 With LED for PNP  
N : 带LED NPN接口 with LED for NPN

### 6. 线缆材质 Cable material

无表示 : PVC None: PVC  
U : PUR U : PUR

### 7. 特殊代码 Special code

四位数字代号 4 digits number code

## 分线盒型号代码 Model & Code

$\frac{DB}{1} \frac{12}{2} \frac{08}{3} \frac{04}{4} - \frac{x}{5} - \frac{Mxx}{6} \frac{P}{7}$

### 1. 产品系列 Product series

DB : 分线盒 Distribution box

### 2. 接口类型 Core wire

08 : M8连接器 M8 Connector  
12 : M12连接器 M12 Connector

### 3. I/O 通道数 I/O channel number

04 : 4  
06 : 6  
08 : 8  
10 : 10

### 4. I/O 孔数 I/O port

03 : 3  
04 : 4  
05 : 5

### 5. 线缆材质 Cable material

0 : 无线缆 None  
1 : PVC  
2 : PUR

### 6. 出线规格 Cable type

D : D-SUB端子 D-SUB  
M : M23端子 Plug connector M23  
无表示 : 直接出线 None: pre-wired cable  
03 : 3米电缆线 3m Cable  
05 : 5米电缆线 5m Cable  
07 : 7米电缆线 7m Cable

### 7. LED指示 LED indication

P : PNP  
N : NPN

# 连接线缆 Connection Cable

线型 Cable type	型号 Item code			
2m PVC	QE8-N3F2	QE8-N3G2	QE8-N4F2	QE8-N4G2
5m PVC	QE8-N3F5	QE8-N3G5	QE8-N4F5	QE8-N4G5
2m PU	QE8-N3F2-U	QE8-N3G2-U	QE8-N4F2-U	QE8-N4G2-U
5m PU	QE8-N3F5-U	QE8-N3G5-U	QE8-N4F5-U	QE8-N4G5-U



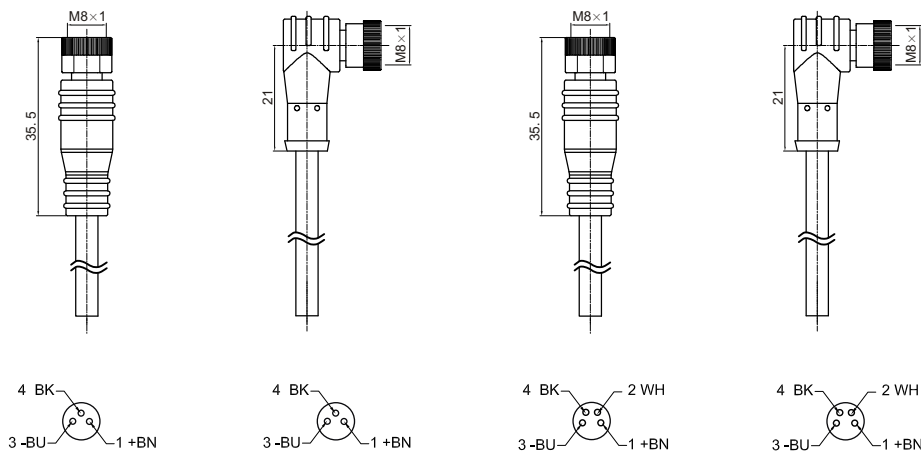
## 连接器 Connector

工作电压 Operating voltage	50VAC/60VDC	50VAC/60VDC	50VAC/60VDC	50VAC/60VDC
额定电流 Nominal current	4A	4A	4A	4A
绝缘电阻 Insulation resistance	100MΩ	100MΩ	100MΩ	100MΩ
温度范围 Temperature range	-30~+90°C	-30~+90°C	-30~+90°C	-30~+90°C
LED指示 LED Indication	—	—	—	—
外被 Outer covering	PVC	PVC	PVC	PVC
承载材质 Bearing material	镍铜合金 Nickel-copper alloy	镍铜合金 Nickel-copper alloy	镍铜合金 Nickel-copper alloy	镍铜合金 Nickel-copper alloy
防护等级 Protection degree	IP67	IP67	IP67	IP67

## 连接线缆 Connection cable

材质 Material	PVC/PU	PVC/PU	PVC/PU	PVC/PU
颜色 Colour	黑色 Black	黑色 Black	黑色 Black	黑色 Black
线径 Cable diameter	Φ4.4mm	Φ4.4mm	Φ4.4mm	Φ4.4mm
芯线 Core wire	3*0.25mm <sup>2</sup> (0.1*32)	3*0.25mm <sup>2</sup> (0.1*32)	4*0.25mm <sup>2</sup> (0.1*32)	4*0.25mm <sup>2</sup> (0.1*32)
长度 Length	2m/5m	2m/5m	2m/5m	2m/5m

## 尺寸图 Dimension



# 连接线缆 Connection Cable

线型 Cable type	型号 Item code			
2m PVC	QE8-W3F2	QE8-W3G2	QE8-W4F2	QE8-W4G2
5m PVC	QE8-W3F5	QE8-W3G5	QE8-W4F5	QE8-W4G5
2m PU	QE8-W3F2-U	QE8-W3G2-U	QE8-W4F2-U	QE8-W4G2-U
5m PU	QE8-W3F5-U	QE8-W3G5-U	QE8-W4F5-U	QE8-W4G5-U



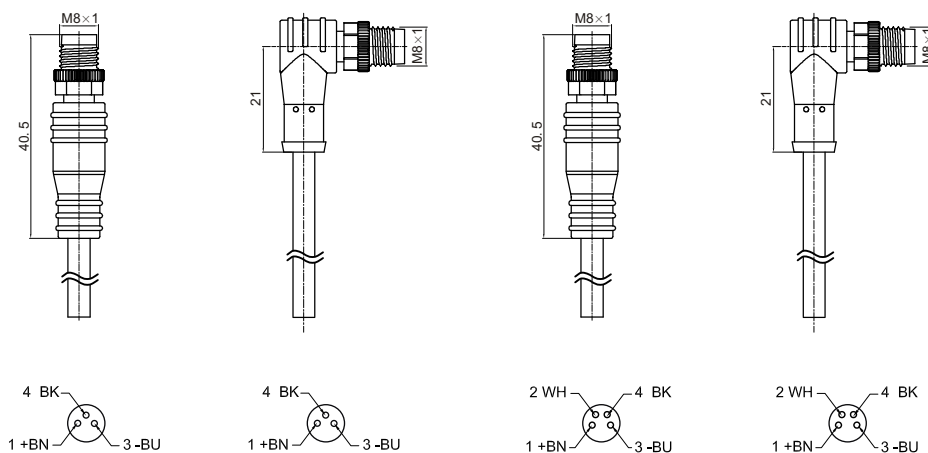
## 连接器 Connector

工作电压 Operating voltage	50VAC/60VDC	50VAC/60VDC	50VAC/60VDC	50VAC/60VDC
额定电流 Nominal current	4A	4A	4A	4A
绝缘电阻 Insulation resistance	100MΩ	100MΩ	100MΩ	100MΩ
温度范围 Temperature range	-30~+90°C	-30~+90°C	-30~+90°C	-30~+90°C
LED指示 LED Indication	—	—	—	—
外被 Outer covering	PVC	PVC	PVC	PVC
承载材质 Bearing material	镍铜合金 Nickel-copper alloy	镍铜合金 Nickel-copper alloy	镍铜合金 Nickel-copper alloy	镍铜合金 Nickel-copper alloy
防护等级 Protection degree	IP67	IP67	IP67	IP67

## 连接线缆 Connection cable

材质 Material	PVC/PU	PVC/PU	PVC/PU	PVC/PU
颜色 Colour	黑色 Black	黑色 Black	黑色 Black	黑色 Black
线径 Cable diameter	Φ4.4mm	Φ4.4mm	Φ4.4mm	Φ4.4mm
芯线 Core wire	3*0.25mm <sup>2</sup> (0.1*32)	3*0.25mm <sup>2</sup> (0.1*32)	4*0.25mm <sup>2</sup> (0.1*32)	4*0.25mm <sup>2</sup> (0.1*32)
长度 Length	2m/5m	2m/5m	2m/5m	2m/5m

## 尺寸图 Dimension



# 连接线缆 Connection Cable

线型 Cable type	型号 Item code			
2m PVC	QE12-N3F2	QE12-N3G2	QE12-N4F2	QE12-N4G2
5m PVC	QE12-N3F5	QE12-N3G5	QE12-N4F5	QE12-N4G5
2m PU	QE12-N3F2-U	QE12-N3G2-U	QE12-N4F2-U	QE12-N4G2-U
5m PU	QE12-N3F5-U	QE12-N3G5-U	QE12-N4F5-U	QE12-N4G5-U



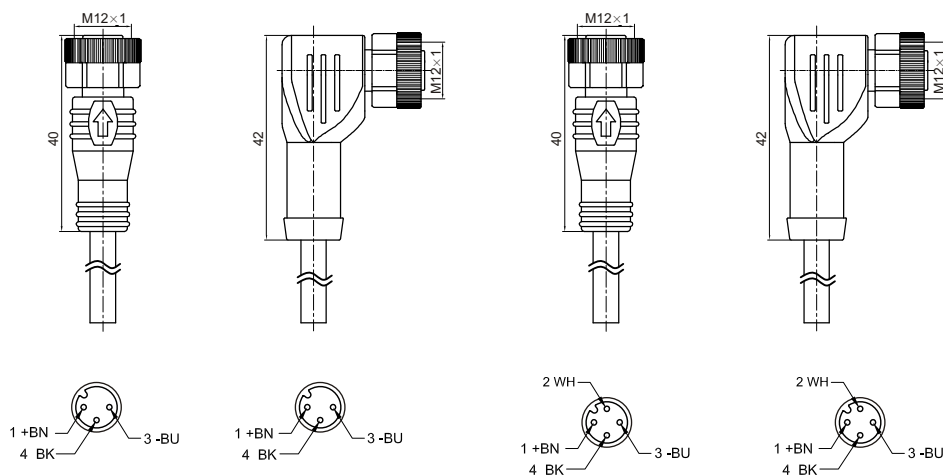
## 连接器 Connector

工作电压 Operating voltage	50VAC/60VDC	50VAC/60VDC	50VAC/60VDC	50VAC/60VDC
额定电流 Nominal current	4A	4A	4A	4A
绝缘电阻 Insulation resistance	100MΩ	100MΩ	100MΩ	100MΩ
温度范围 Temperature range	-30~+90°C	-30~+90°C	-30~+90°C	-30~+90°C
LED指示 LED Indication	—	—	—	—
外被 Outer covering	PVC	PVC	PVC	PVC
承载材质 Bearing material	镍铜合金 Nickel-copper alloy	镍铜合金 Nickel-copper alloy	镍铜合金 Nickel-copper alloy	镍铜合金 Nickel-copper alloy
防护等级 Protection degree	IP67	IP67	IP67	IP67

## 连接线缆 Connection cable

材质 Material	PVC/PU	PVC/PU	PVC/PU	PVC/PU
颜色 Colour	黑色 Black	黑色 Black	黑色 Black	黑色 Black
线径 Cable diameter	Φ4.4mm	Φ4.4mm	Φ5.2mm	Φ5.2mm
芯线 Core wire	3*0.34mm <sup>2</sup> (0.2*11)	3*0.34mm <sup>2</sup> (0.2*11)	4*0.34mm <sup>2</sup> (0.2*11)	4*0.34mm <sup>2</sup> (0.2*11)
长度 Length	2m/5m	2m/5m	2m/5m	2m/5m

## 尺寸图 Dimension





# 连接线缆 Connection Cable

线型 Cable type	型号 Item code			
2m PVC	QE12-N5F2	QE12-N5G2	QE12-W3F2	QE12-W3G2
5m PVC	QE12-N5F5	QE12-N5G5	QE12-W3F5	QE12-W3G5
2m PU	QE12-N5F2-U	QE12-N5G2-U	QE12-W3F2-U	QE12-W3G2-U
5m PU	QE12-N5F5-U	QE12-N5G5-U	QE12-W3F5-U	QE12-W3G5-U



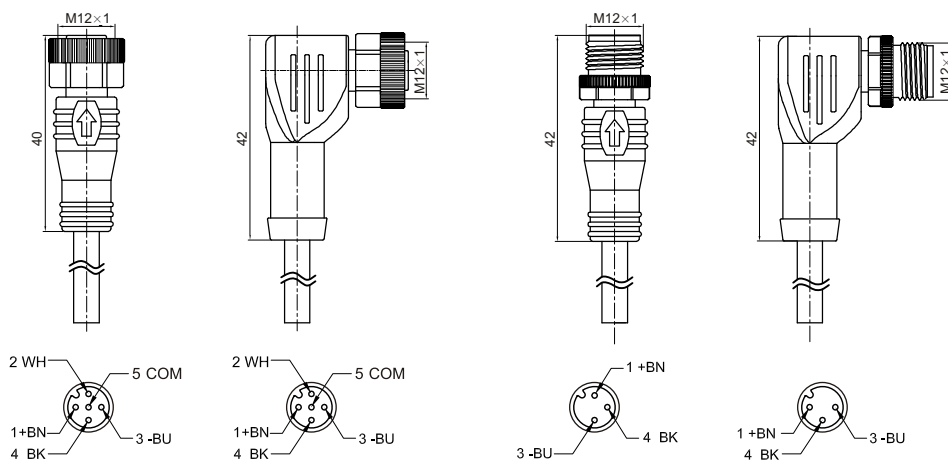
## 连接器 Connector

工作电压 Operating voltage	50VAC/60VDC	50VAC/60VDC	50VAC/60VDC	50VAC/60VDC
额定电流 Nominal current	4A	4A	4A	4A
绝缘电阻 Insulation resistance	100MΩ	100MΩ	100MΩ	100MΩ
温度范围 Temperature range	-30~+90°C	-30~+90°C	-30~+90°C	-30~+90°C
LED指示 LED Indication	—	—	—	—
外被 Outer covering	PVC	PVC	PVC	PVC
承载材质 Bearing material	镍铜合金 Nickel-copper alloy	镍铜合金 Nickel-copper alloy	镍铜合金 Nickel-copper alloy	镍铜合金 Nickel-copper alloy
防护等级 Protection degree	IP67	IP67	IP67	IP67

## 连接线缆 Connection cable

材质 Material	PVC/PU	PVC/PU	PVC/PU	PVC/PU
颜色 Colour	黑色 Black	黑色 Black	黑色 Black	黑色 Black
线径 Cable diameter	Φ5.2mm	Φ5.2mm	Φ4.4mm	Φ4.4mm
芯线 Core wire	5*0.34mm <sup>2</sup> (0.2*11)	5*0.34mm <sup>2</sup> (0.2*11)	3*0.34mm <sup>2</sup> (0.2*11)	3*0.34mm <sup>2</sup> (0.2*11)
长度 Length	2m/5m	2m/5m	2m/5m	2m/5m

## 尺寸图 Dimension



# 连接线缆 Connection Cable

线型 Cable type	型号 Item code			
2m PVC	QE12-W4F2	QE12-W4G2	QE12-W5F2	QE12-W5G2
5m PVC	QE12-W4F5	QE12-W4G5	QE12-W5F5	QE12-W5G5
2m PU	QE12-W4F2-U	QE12-W4G2-U	QE12-W5F2-U	QE12-W5G2-U
5m PU	QE12-W4F5-U	QE12-W4G5-U	QE12-W5F5-U	QE12-W5G5-U



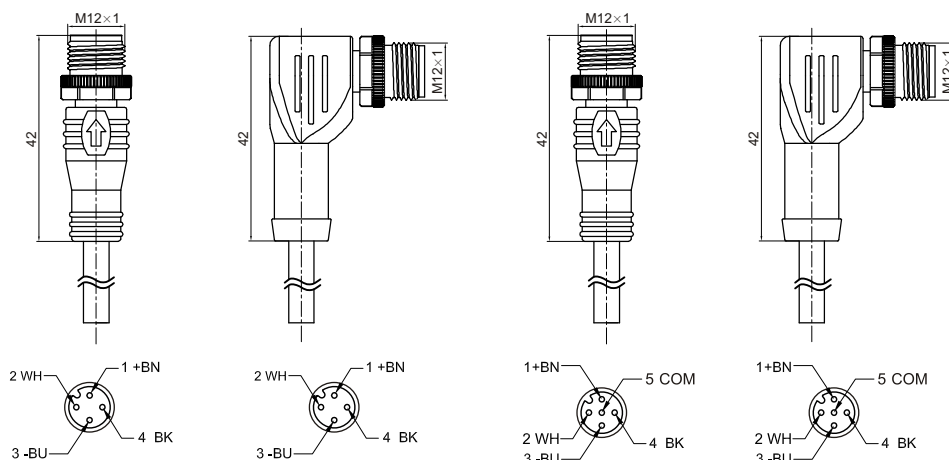
## 连接器 Connector

工作电压 Operating voltage	50VAC/60VDC	50VAC/60VDC	50VAC/60VDC	50VAC/60VDC
额定电流 Nominal current	4A	4A	4A	4A
绝缘电阻 Insulation resistance	100MΩ	100MΩ	100MΩ	100MΩ
温度范围 Temperature range	-30~+90°C	-30~+90°C	-30~+90°C	-30~+90°C
LED指示 LED Indication	—	—	—	—
外被 Outer covering	PVC	PVC	PVC	PVC
承载材质 Bearing material	镍铜合金 Nickel-copper alloy	镍铜合金 Nickel-copper alloy	镍铜合金 Nickel-copper alloy	镍铜合金 Nickel-copper alloy
防护等级 Protection degree	IP67	IP67	IP67	IP67

## 连接线缆 Connection cable

材质 Material	PVC/PU	PVC/PU	PVC/PU	PVC/PU
颜色 Colour	黑色 Black	黑色 Black	黑色 Black	黑色 Black
线径 Cable diameter	Φ5.2mm	Φ5.2mm	Φ5.2mm	Φ5.2mm
芯线 Core wire	4*0.34mm <sup>2</sup> (0.2*11)	4*0.34mm <sup>2</sup> (0.2*11)	5*0.34mm <sup>2</sup> (0.2*11)	5*0.34mm <sup>2</sup> (0.2*11)
长度 Length	2m/5m	2m/5m	2m/5m	2m/5m

## 尺寸图 Dimension



# 连接线缆 Connection Cable

线型 Cable type	型号 Item code			
2m PVC	QE12-N3F2-P	QE12-N3G2-P	QE12-N3F2-N	QE12-N3G2-N
5m PVC	QE12-N3F5-P	QE12-N3G5-P	QE12-N3F5-N	QE12-N3G5-N
2m PU	QE12-N3F2-P-U	QE12-N3G2-P-U	QE12-N3F2-N-U	QE12-N3G2-N-U
5m PU	QE12-N3F5-P-U	QE12-N3G5-P-U	QE12-N3F5-N-U	QE12-N3G5-N-U



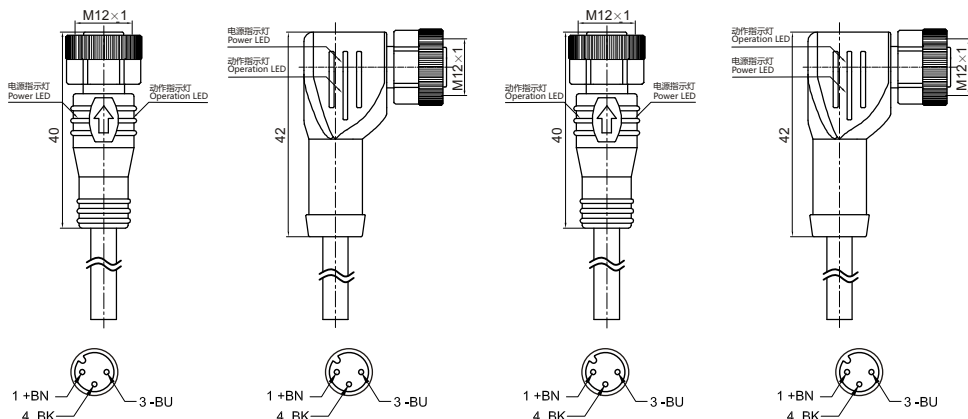
## 连接器 Connector

工作电压 Operating voltage	30VDC Max	30VDC Max	30VDC Max	30VDC Max
额定电流 Nominal current	4A	4A	4A	4A
绝缘电阻 Insulation resistance	100MΩ	100MΩ	100MΩ	100MΩ
温度范围 Temperature range	-30~+90°C	-30~+90°C	-30~+90°C	-30~+90°C
输出方式 Output	PNP	PNP	NPN	NPN
LED指示 LED Indication	电源: 绿色 动作: 黄色 Power: Green Operation: Yellow			
外被 Outer covering	PU	PU	PU	PU
承载材质 Bearing material	镍铜合金 Nickel-copper alloy	镍铜合金 Nickel-copper alloy	镍铜合金 Nickel-copper alloy	镍铜合金 Nickel-copper alloy
防护等级 Protection degree	IP67	IP67	IP67	IP67

## 连接线缆 Connection cable

材质 Material	PVC/PU	PVC/PU	PVC/PU	PVC/PU
颜色 Colour	黑色 Black	黑色 Black	黑色 Black	黑色 Black
线径 Cable diameter	Φ4.4mm	Φ4.4mm	Φ4.4mm	Φ4.4mm
芯线 Core wire	3*0.34mm <sup>2</sup> (0.2*11)	3*0.34mm <sup>2</sup> (0.2*11)	3*0.34mm <sup>2</sup> (0.2*11)	3*0.34mm <sup>2</sup> (0.2*11)
长度 Length	2m/5m	2m/5m	2m/5m	2m/5m

## 尺寸图 Dimension



# 连接线缆 Connection Cable

线型 Cable type	型号 Item code			
2m PVC	QE12-N4F2-P	QE12-N4G2-P	QE12-N4F2-N	QE12-N4G2-N
5m PVC	QE12-N4F5-P	QE12-N4G5-P	QE12-N4F5-N	QE12-N4G5-N
2m PU	QE12-N4F2-P-U	QE12-N4G2-P-U	QE12-N4F2-N-U	QE12-N4G2-N-U
5m PU	QE12-N4F5-P-U	QE12-N4G5-P-U	QE12-N4F5-N-U	QE12-N4G5-N-U



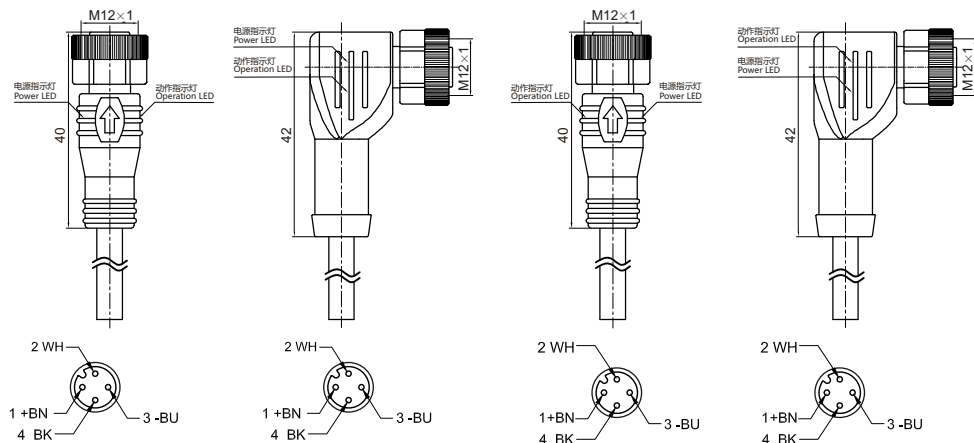
## 连接器 Connector

工作电压 Operating voltage	30VDC Max	30VDC Max	30VDC Max	30VDC Max
额定电流 Nominal current	4A	4A	4A	4A
绝缘电阻 Insulation resistance	100MΩ	100MΩ	100MΩ	100MΩ
温度范围 Temperature range	-30~+90°C	-30~+90°C	-30~+90°C	-30~+90°C
输出方式 Output	PNP	PNP	NPN	NPN
LED指示 LED Indication	电源: 绿色 动作: 黄色 Power: Green Operation: Yellow			
外被 Outer covering	PU	PU	PU	PU
承载材质 Bearing material	镍铜合金 Nickel-copper alloy	镍铜合金 Nickel-copper alloy	镍铜合金 Nickel-copper alloy	镍铜合金 Nickel-copper alloy
防护等级 Protection degree	IP67	IP67	IP67	IP67

## 连接线缆 Connection cable

材质 Material	PVC/PU	PVC/PU	PVC/PU	PVC/PU
颜色 Colour	黑色 Black	黑色 Black	黑色 Black	黑色 Black
线径 Cable diameter	Φ5.2mm	Φ5.2mm	Φ5.2mm	Φ5.2mm
芯线 Core wire	4*0.34mm <sup>2</sup> (0.2*11)	4*0.34mm <sup>2</sup> (0.2*11)	4*0.34mm <sup>2</sup> (0.2*11)	4*0.34mm <sup>2</sup> (0.2*11)
长度 Length	2m/5m	2m/5m	2m/5m	2m/5m

## 尺寸图 Dimension



# 连接线缆 Connection Cable

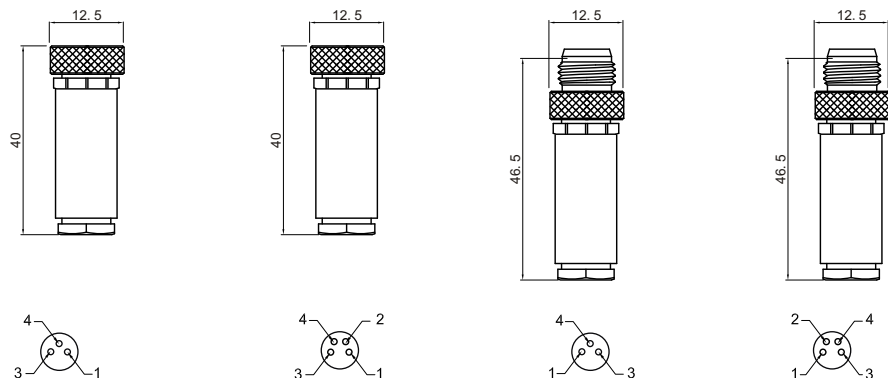
	型号 Item code			
	QE08-N3F	QE08-N4F	QE08-W3F	QE08-W4F



## 连接器 Connector

工作电压 Operating voltage	50VAC/60VDC	50VAC/60VDC	50VAC/60VDC	50VAC/60VDC
额定电流 Nominal current	4A	4A	4A	4A
绝缘电阻 Insulation resistance	100MΩ	100MΩ	100MΩ	100MΩ
温度范围 Temperature range	-40~+85°C	-40~+85°C	-40~+85°C	-40~+85°C
LED指示 LED Indication	—	—	—	—
外被 Outer covering	PVC	PVC	PVC	PVC
承载材质 Bearing material	镍铜合金 Nickel-copper alloy	镍铜合金 Nickel-copper alloy	镍铜合金 Nickel-copper alloy	镍铜合金 Nickel-copper alloy
防护等级 Protection degree	IP67	IP67	IP67	IP67

## 尺寸图 Dimension



# 连接线缆 Connection Cable

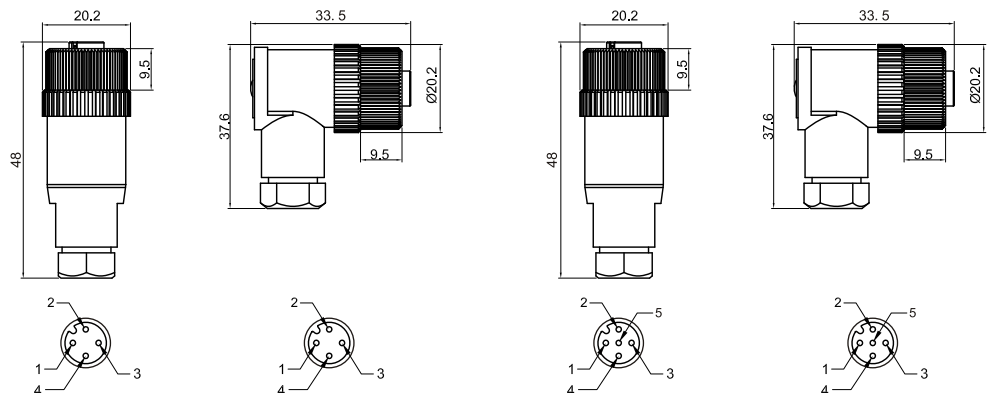
	型号 Item code			
	QE12-N4F	QE12-N4G	QE12-N5F	QE12-N5G



## 连接器 Connector

工作电压 Operating voltage	50VAC/60VDC	50VAC/60VDC	50VAC/60VDC	50VAC/60VDC
额定电流 Nominal current	4A	4A	4A	4A
绝缘电阻 Insulation resistance	100MΩ	100MΩ	100MΩ	100MΩ
温度范围 Temperature range	-40~+85°C	-40~+85°C	-40~+85°C	-40~+85°C
LED指示 LED Indication	—	—	—	—
外被 Outer covering	PVC	PVC	PVC	PVC
承载材质 Bearing material	镍铜合金 Nickel-copper alloy	镍铜合金 Nickel-copper alloy	镍铜合金 Nickel-copper alloy	镍铜合金 Nickel-copper alloy
防护等级 Protection degree	IP67	IP67	IP67	IP67

## 尺寸图 Dimension



# 连接线缆 Connection Cable

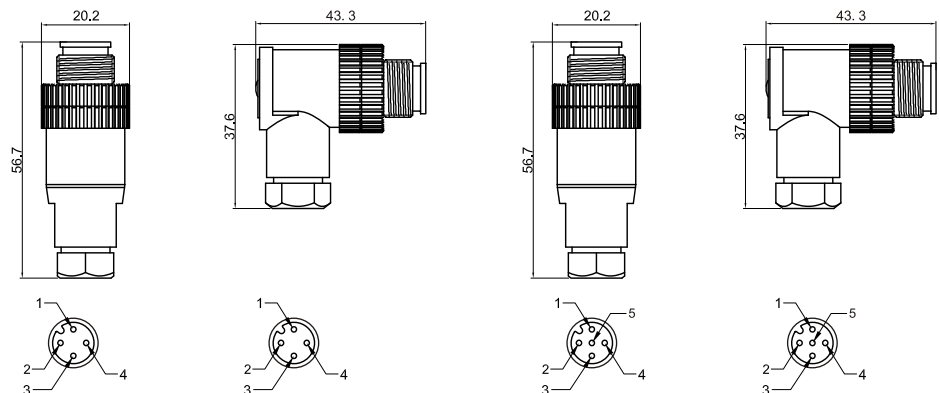
	型号 Item code			
	QE12-W4F	QE12-W4G	QE12-W5F	QE12-W5G



## 连接器 Connector

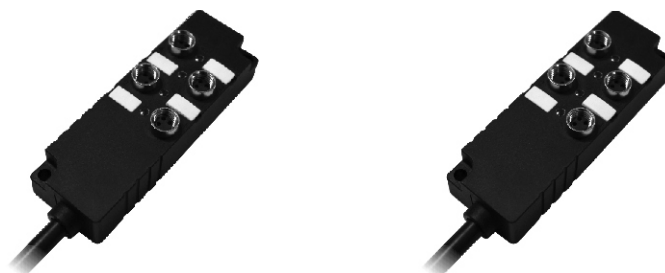
工作电压 Operating voltage	50VAC/60VDC	50VAC/60VDC	50VAC/60VDC	50VAC/60VDC
额定电流 Nominal current	4A	4A	4A	4A
绝缘电阻 Insulation resistance	100MΩ	100MΩ	100MΩ	100MΩ
温度范围 Temperature range	-40~+85°C	-40~+85°C	-40~+85°C	-40~+85°C
LED指示 LED Indication	—	—	—	—
外被 Outer covering	PVC	PVC	PVC	PVC
承载材质 Bearing material	镍铜合金 Nickel-copper alloy	镍铜合金 Nickel-copper alloy	镍铜合金 Nickel-copper alloy	镍铜合金 Nickel-copper alloy
防护等级 Protection degree	IP67	IP67	IP67	IP67

## 尺寸图 Dimension



# 分线盒 Distribution Box

		型号 Item code	
		DB080403-x-xxP	DB080403-x-xxN

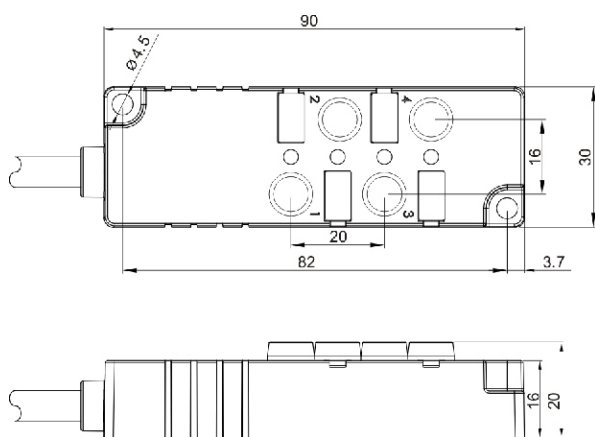


## 技术参数 Parameters

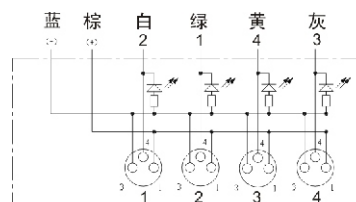
工作电压 Operating voltage	10V-30V	10V-30V
额定电流 Nominal current	2A/Port, 8A/Total	2A/Port, 8A/Total
接触阻抗 Insulation resistance	8mΩ MAX	8mΩ MAX
温度范围 Temperature range	-20°C-+80°C	-20°C-+80°C
输出功能 Output status	常开 NO	常开 NO
输出类型 Output way	PNP	NPN
输出指示 Output indicate	黄色 LED Yellow LED	黄色 LED Yellow LED
连接规格 Connection specification	M8孔端 3芯 M8 port 3-core	M8孔端 3芯 M8 port 3-core
连接方式 Connection type	螺纹M8*1 Threaded M8*1	螺纹M8*1 Threaded M8*1
接口材质 Socket material	磷青铜 镀金 Carobronze/Gold plated	磷青铜 镀金 Carobronze/Gold plated
螺母 Nut	黄铜 镀镍 Cooper/Nickel plated	黄铜 镀镍 Cooper/Nickel plated
O型环 O-ring	FKM/Gold plated	FKM
基座/胶芯 The base/rubber core	PA66+GF	PA66+GF
灌封材质 Potting material	环氧树脂 Ethoxyline resin	环氧树脂 Ethoxyline resin
线缆材质 Cable material	PVC	PVC
标准配线 Standard cable	3m	3m

\* 电缆线材料及长度可按客户要求定制 Cable material and length can be customized.

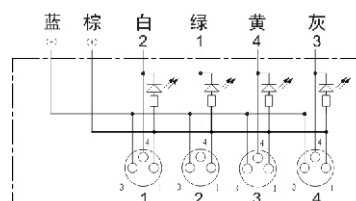
## 尺寸图 Dimension



## 电气接线图 Wiring diagram



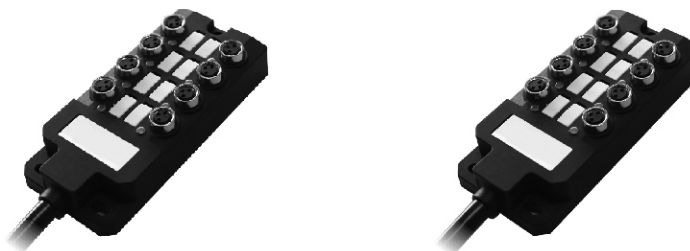
LED指示: PNP



LED指示: NPN



		型号 Item code	
		DB080803-x-xxP	DB080803-x-xxN

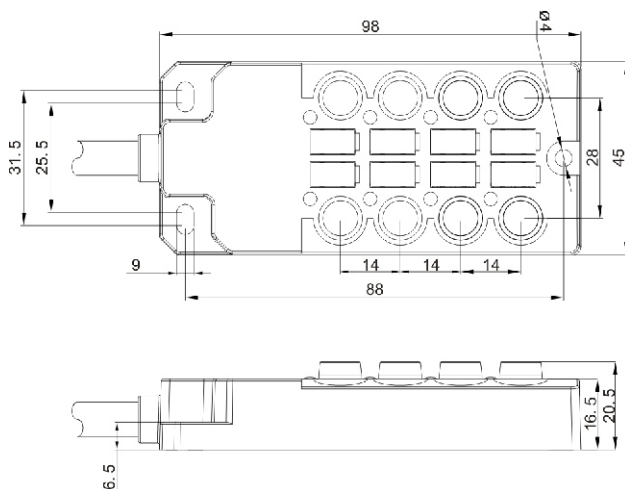


## 技术参数 Parameters

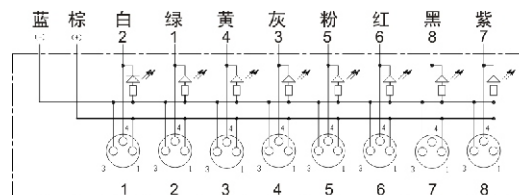
工作电压 Operating voltage	10V-30V	10V-30V
额定电流 Nominal current	2A/Port, 8A/Total	2A/Port, 8A/Total
接触阻抗 Insulation resistance	8mΩ MAX	8mΩ MAX
温度范围 Temperature range	-20°C-+80°C	-20°C-+80°C
输出功能 Output status	常开 NO	常开 NO
输出类型 Output way	PNP	NPN
输出指示 Output indicate	黄色 LED Yellow LED	黄色 LED Yellow LED
连接规格 Connection specification	M8孔端 3芯 M8 port 3-core	M8孔端 3芯 M8 port 3-core
连接方式 Connection type	螺纹M8*1 Threaded M8*1	螺纹M8*1 Threaded M8*1
接口材质 Socket material	磷青铜 镀金 Carobronze/Gold plated	磷青铜 镀金 Carobronze/Gold plated
螺母 Nut	黄铜 镀镍 Cooper/Nickel plated	黄铜 镀镍 Cooper/Nickel plated
O型环 O-ring	FKM/Gold plated	FKM
基座/胶芯 The base/rubber core	PA66+GF	PA66+GF
灌封材质 Potting material	环氧树脂 Ethoxyline resin	环氧树脂 Ethoxyline resin
线缆材质 Cable material	PVC	PVC
标准配线 Standard cable	3m	3m

\* 电缆线材料及长度可按客户要求定制 Cable material and length can be customized.

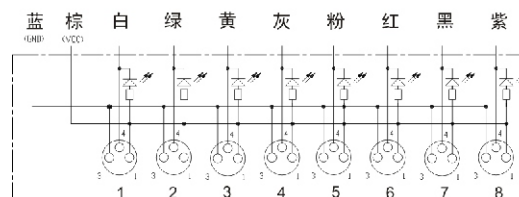
## 尺寸图 Dimension



## 电气接线图 Wiring diagram



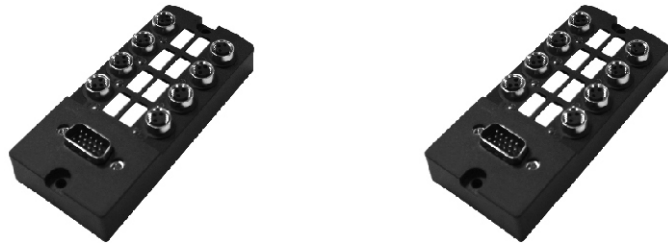
LED指示: PNP



LED指示: NPN

# 分线盒 Distribution Box

		型号 Item code	
		DB080803-x-DxxP	DB080803-x-DxxN

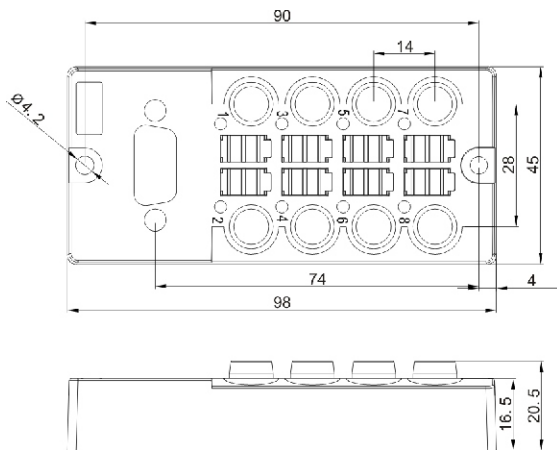


## 技术参数 Parameters

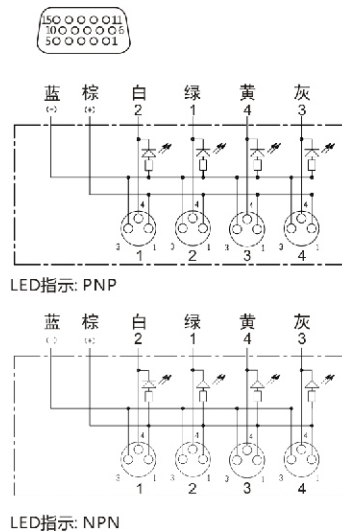
工作电压 Operating voltage	10V-30V	10V-30V
额定电流 Nominal current	2A/Port, 8A/Total	2A/Port, 8A/Total
接触阻抗 Insulation resistance	8mΩ MAX	8mΩ MAX
温度范围 Temperature range	-20°C-+80°C	-20°C-+80°C
输出功能 Output status	常开 NO	常开 NO
输出类型 Output way	PNP	NPN
输出指示 Output indicate	黄色 LED Yellow LED	黄色 LED Yellow LED
连接规格 Connection specification	M8孔端 3芯 M8 port 3-core	M8孔端 3芯 M8 port 3-core
连接方式 Connection type	螺纹M8*1 Threaded M8*1	螺纹M8*1 Threaded M8*1
接口材质 Socket material	磷青铜 镀金 Carobronze/Gold plated	磷青铜 镀金 Carobronze/Gold plated
螺母 Nut	黄铜 镀镍 Cooper/Nickel plated	黄铜 镀镍 Cooper/Nickel plated
O型环 O-ring	FKM/Gold plated	FKM
基座/胶芯 The base/rubber core	PA66+GF	PA66+GF
灌封材质 Potting material	环氧树脂 Ethoxyline resin	环氧树脂 Ethoxyline resin
D-sub D-sub	黄铜 镀金 Cooper/Nickel plated	黄铜 镀金 Cooper/Nickel plated

\* 电缆线材料及长度可按客户要求定制 Cable material and length can be customized.

## 尺寸图 Dimension

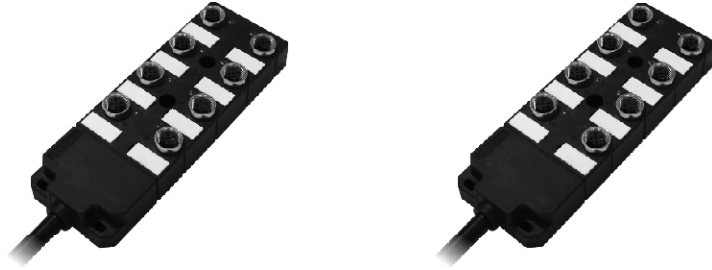


## 电气接线图 Wiring diagram



# 分线盒 Distribution Box

		型号 Item code	
		DB120804-x-xxP	DB120804-x-xxN

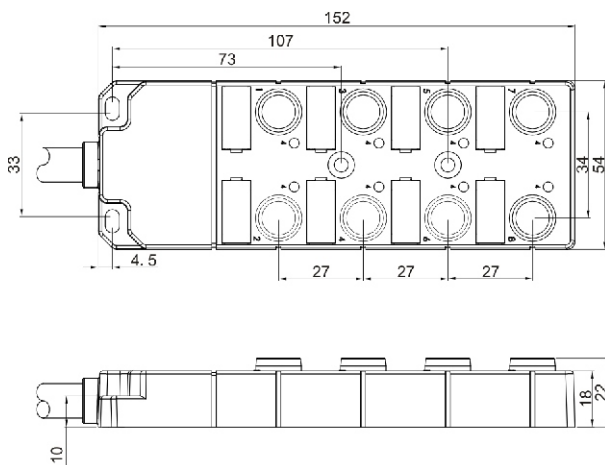


## 技术参数 Parameters

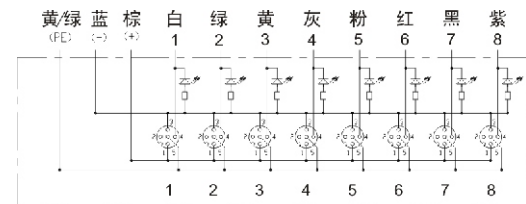
工作电压 Operating voltage	10V-30V	10V-30V
额定电流 Nominal current	4A/Port, 10A/Total	4A/Port, 10A/Total
接触阻抗 Insulation resistance	8mΩ MAX	8mΩ MAX
温度范围 Temperature range	-20°C-+80°C	-20°C-+80°C
输出功能 Output status	常开 NO	常开 NO
输出类型 Output way	PNP	NPN
输出指示 Output indicate	黄色 LED Yellow LED	黄色 LED Yellow LED
连接规格 Connection specification	M12孔端 4芯 M12 port 4-core	M12孔端 4芯 M12 port 4-core
连接方式 Connection type	螺纹M12*1 Threaded M12*1	螺纹M12*1 Threaded M12*1
接口材质 Socket material	磷青铜 镀金 Carobronze/Gold plated	磷青铜 镀金 Carobronze/Gold plated
螺母 Nut	黄铜 镀镍 Cooper/Nickel plated	黄铜 镀镍 Cooper/Nickel plated
O型环 O-ring	FKM/Gold plated	FKM
底座/胶芯 The base/rubber core	PA66+GF	PA66+GF
灌封材质 Potting material	环氧树脂 Ethoxyline resin	环氧树脂 Ethoxyline resin
线缆材质 Cable material	PVC	PVC
标准配线 Standard cable	5m	5m

\* 电缆线材料及长度可按客户要求定制 Cable material and length can be customized.

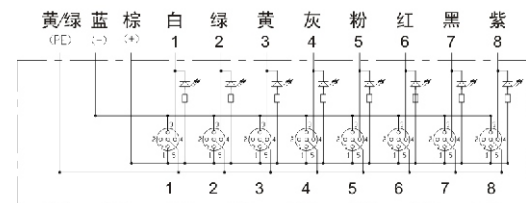
## 尺寸图 Dimension



## 电气接线图 Wiring diagram



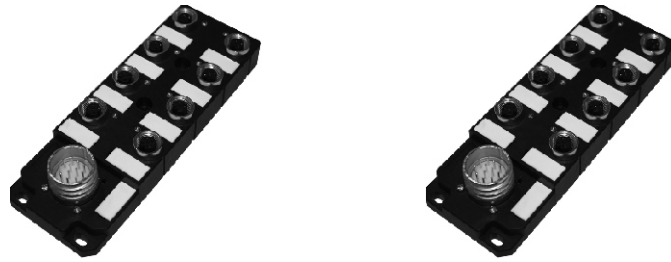
LED指示: PNP



LED指示: NPN

# 分线盒 Distribution Box

		型号 Item code	
		DB120804-x-MxxP	DB120804-x-MxxN

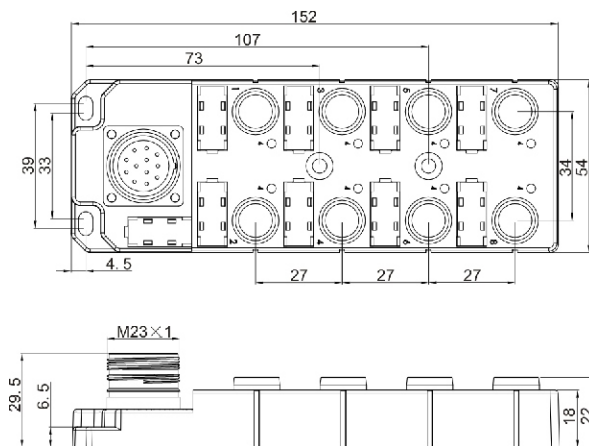


## 技术参数 Parameters

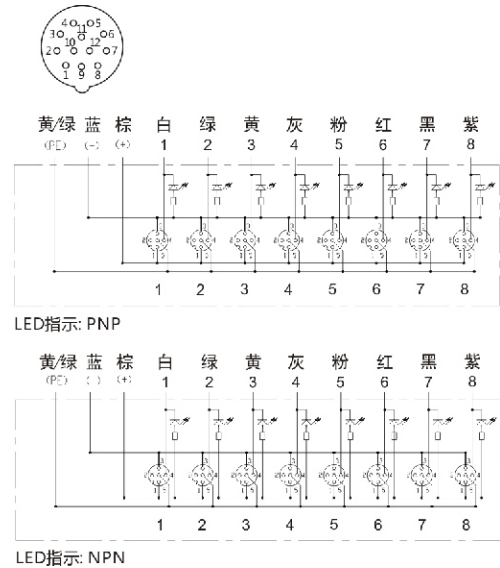
工作电压 Operating voltage	10V-30V	10V-30V
额定电流 Nominal current	4A/Port, 10A/Total	4A/Port, 10A/Total
接触阻抗 Insulation resistance	8mΩ MAX	8mΩ MAX
温度范围 Temperature range	-20°C-+80°C	-20°C-+80°C
输出功能 Output status	常开 NO	常开 NO
输出类型 Output way	PNP	NPN
输出指示 Output indicate	黄色 LED Yellow LED	黄色 LED Yellow LED
连接规格 Connection specification	M12孔端 4芯 M12 port 4-core	M12孔端 4芯 M12 port 4-core
连接方式 Connection type	螺纹M12*1 Threaded M12*1	螺纹M12*1 Threaded M12*1
接口材质 Socket material	磷青铜 镀金 Carobronze/Gold plated	磷青铜 镀金 Carobronze/Gold plated
螺母 Nut	黄铜 镀镍 Cooper/Nickel plated	黄铜 镀镍 Cooper/Nickel plated
O型环 O-ring	FKM/Gold plated	FKM
基座/胶芯 The base/rubber core	PA66+GF	PA66+GF
灌封材质 Potting material	环氧树脂 Ethoxyline resin	环氧树脂 Ethoxyline resin
M23端子 Plug connector M23	黄铜 镀金 Cooper/Nickel plated	黄铜 镀金 Cooper/Nickel plated

\* 电缆线材料及长度可按客户要求定制 Cable material and length can be customized.

## 尺寸图 Dimension

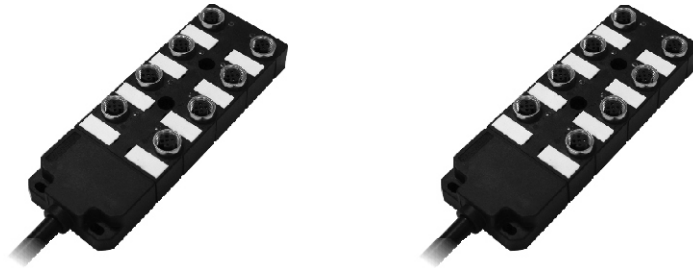


## 电气接线图 Wiring diagram



# 分线盒 Distribution Box

		型号 Item code	
		DB120805-x-xxP	DB120805-x-xxN

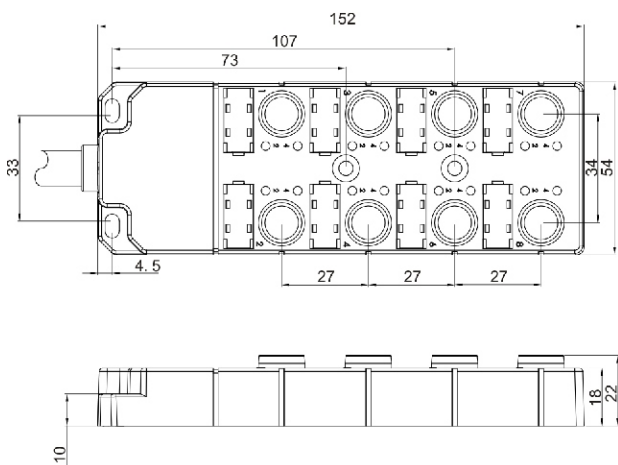


## 技术参数 Parameters

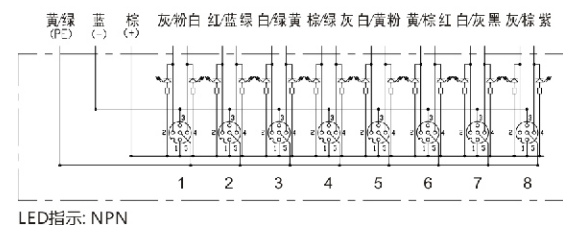
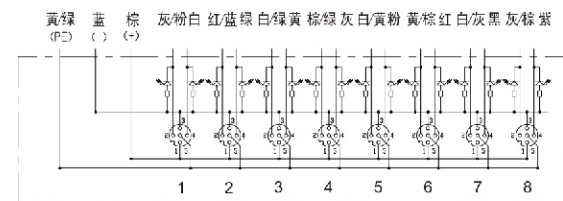
工作电压 Operating voltage	10V-30V	10V-30V
额定电流 Nominal current	4A/Port, 10A/Total	4A/Port, 10A/Total
接触阻抗 Insulation resistance	8mΩ MAX	8mΩ MAX
温度范围 Temperature range	-20°C-+80°C	-20°C-+80°C
输出功能 Output status	常开 NO	常开 NO
输出类型 Output way	PNP	NPN
输出指示 Output indicate	黄色 LED Yellow LED	黄色 LED Yellow LED
连接规格 Connection specification	M12孔端 5芯 M12 port 5-core	M12孔端 5芯 M12 port 5-core
连接方式 Connection type	螺纹M12*1 Threaded M12*1	螺纹M12*1 Threaded M12*1
接口材质 Socket material	磷青铜 镀金 Carobronze/Gold plated	磷青铜 镀金 Carobronze/Gold plated
螺母 Nut	黄铜 镀镍 Cooper/Nickel plated	黄铜 镀镍 Cooper/Nickel plated
O型环 O-ring	FKM/Gold plated	FKM
基座/胶芯 The base/rubber core	PA66+GF	PA66+GF
灌封材质 Potting material	环氧树脂 Ethoxyline resin	环氧树脂 Ethoxyline resin
线缆材质 Cable material	PVC	PVC
标准配线 Standard cable	5m	5m

\* 电缆线材料及长度可按客户要求定制 Cable material and length can be customized.

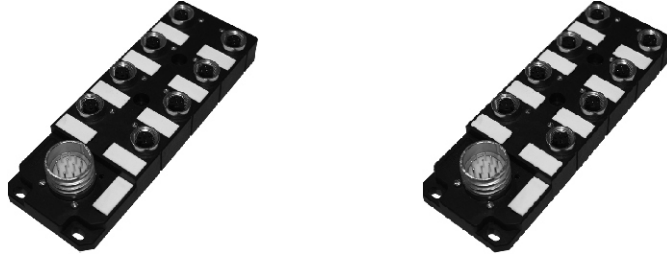
## 尺寸图 Dimension



## 电气接线图 Wiring diagram



		型号 Item code	
		DB120805-x-MxxP	DB120805-X-MxxN

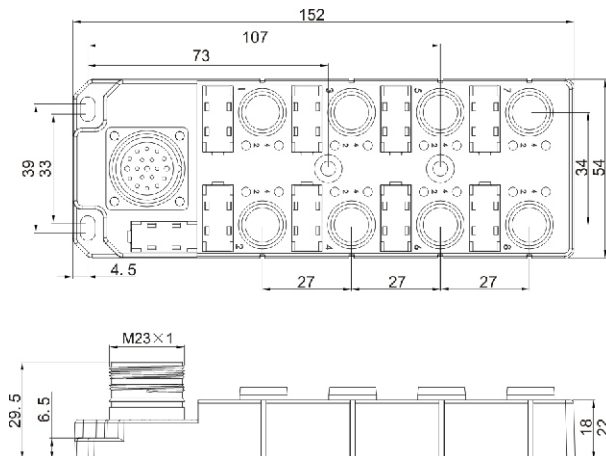


## 技术参数 Parameters

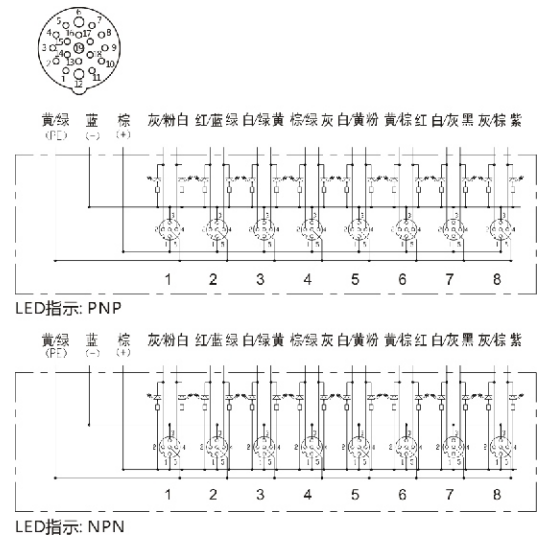
工作电压 Operating voltage	10V-30V	10V-30V
额定电流 Nominal current	4A/Port, 10A/Total	4A/Port, 10A/Total
接触阻抗 Insulation resistance	8mΩ MAX	8mΩ MAX
温度范围 Temperature range	-20°C-+80°C	-20°C-+80°C
输出功能 Output status	常开 NO	常开 NO
输出类型 Output way	PNP	NPN
输出指示 Output indicate	黄色 LED Yellow LED	黄色 LED Yellow LED
连接规格 Connection specification	M12孔端 5芯 M12 port 5-core	M12孔端 5芯 M12 port 5-core
连接方式 Connection type	螺纹M12*1 Threaded M12*1	螺纹M12*1 Threaded M12*1
接口材质 Socket material	磷青铜 镀金 Carobronze/Gold plated	磷青铜 镀金 Carobronze/Gold plated
螺母 Nut	黄铜 镀镍 Cooper/Nickel plated	黄铜 镀镍 Cooper/Nickel plated
O型环 O-ring	FKM/Gold plated	FKM
基座/胶芯 The base/rubber core	PA66+GF	PA66+GF
灌封材质 Potting material	环氧树脂 Ethoxyline resin	环氧树脂 Ethoxyline resin
M23端子 Plug connector M23	黄铜 镀金 Cooper/Nickel plated	黄铜 镀金 Cooper/Nickel plated

\* 电缆线材料及长度可按客户要求定制 Cable material and length can be customized.

## 尺寸图 Dimension



## 电气接线图 Wiring diagram





360° SERVICE  
comprehensive scheme for the sensor  
**VALUE**  
TECHNOLOGY  
QUALITY

## 着眼 大市场、高科技产品

建设国内一流、国际知名的大型综合化传感器及工业自动化产业集团

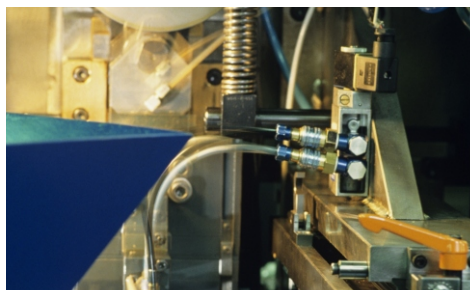
十余年来的拼搏使兰宝得以持续稳定地发展，完成了一个中国传感器企业由小到大、由弱到强，并迅速走向世界的发展历程。兰宝愿与国内外同行携手合作，共同为全球客户提供优质的产品和服务，持续为客户创造最大的价值。

## Focus on global market, high-tech products

Try to build Lanbao to be a leading sensor and industrial automation group.

诚信第一、顾客第一、创新第一

Integrity priority Customer supreme Innovation first



**www.shlanbao.cn**  
**www.lanbaosensor.com**

**上海兰宝传感科技股份有限公司**  
**Shanghai Lanbao Sensing Technology Co., Ltd.**

上海市奉贤区金汇工业园区金碧路228号  
No.228 Jinbi Road, Jinhui Industrial Park,  
Fengxian Area, Shanghai, China 201404

**TEL** 86-21-57486188

**FAX** 86-21-57486199

**E-MAIL** sales@shlanbao.cn market@shlanbao.cn



**Hotline 800 820 8259**